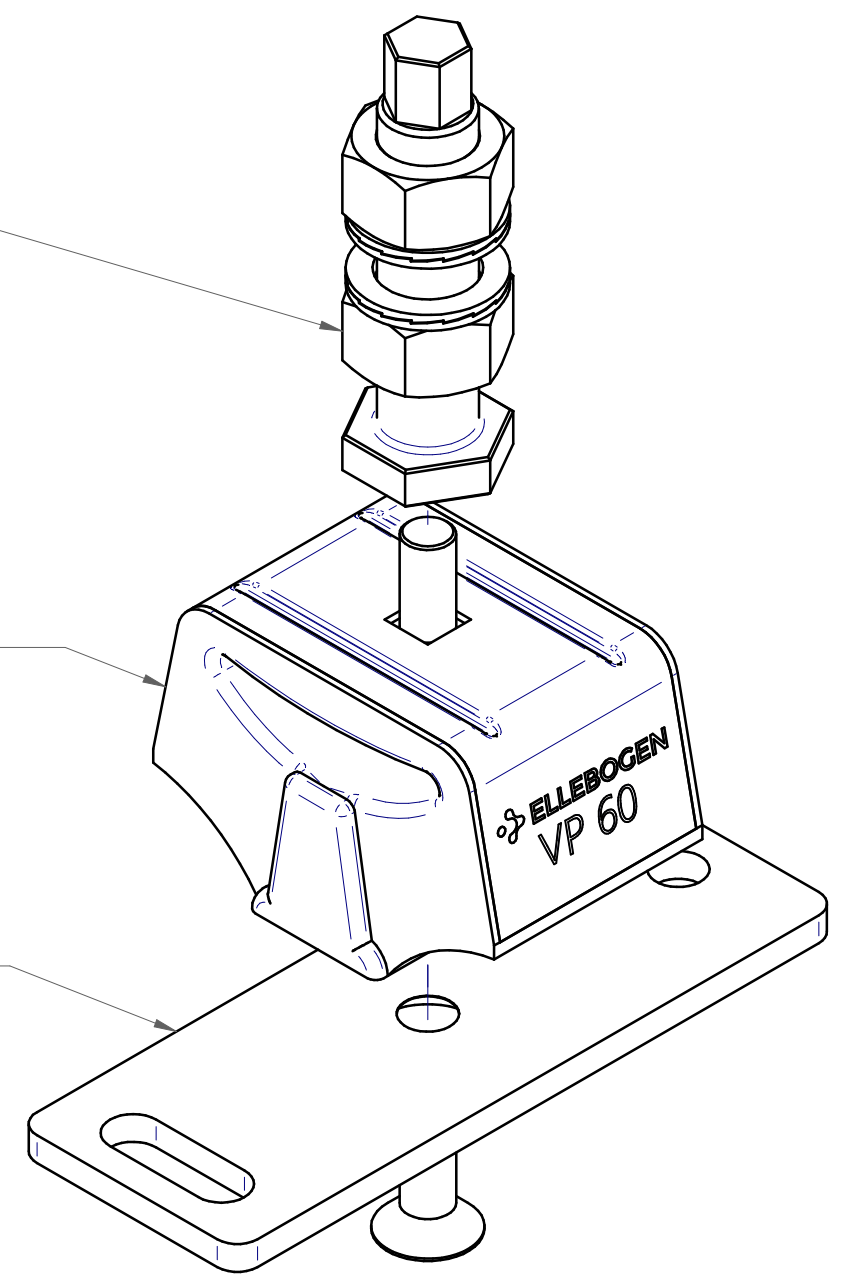


ELLEBOGEN VP
LEVELLING KIT
REF. 120450-00005

ELLEBOGEN VP 50
MARINE ENGINE MOUNT
REF. 838262

ELLEBOGEN VP BASE
PLATE WITH SCREW
REF. 20450-00004

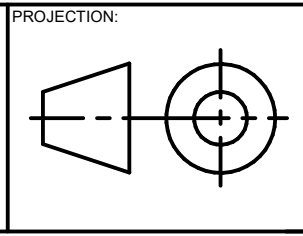


RECOMMENDED TIGHTENING TORQUE TO INSTALL
THE LEVELLING KIT AND THE BOTTOM SCREW:

27 ~ 30 Nm
2,7 ~ 3 kgf·m
20 ~ 22 ft·lbs

RECOMMENDED TIGHTENING TORQUE
FOR NUTS OF THE LEVELLING KIT:

100 ~ 120 Nm
10 ~ 12 kgf·m
73 ~ 88 ft·lbs



DESCRIPTION:
ELLEBOGEN VP 50 MARINE ENGINE MOUNT WITH KIT

REF. NO.: -

ESTIMATED WEIGHT: 1,213kg

REV.: 00

DRAWN: R. E.	DATE: 28/11/2023
APPROVED: I. J.	DATE: 28/11/2023
GENERAL TOLERANCES ACC. TO ISO 2768-C	
OVER (mm)	0,5 3 6 30 120 400 1000
UP TO (mm)	3 6 30 120 400 1000 2000
TOL. (mm)	±0,2 ±0,3 ±0,5 ±0,8 ±1,2 ±2 ±3
RUBBER TOLERANCES ACC. TO ISO 3302-M3	

SCALE: 1:1,33

SHEET SIZE: **A3**

THIS DOCUMENT IS TO BE TREATED AS STRICTLY PRIVATE AND CONFIDENTIAL.

IT SHALL NOT BE DISCLOSED TO THIRD PARTIES WITHOUT PRIOR WRITTEN CONSENT.