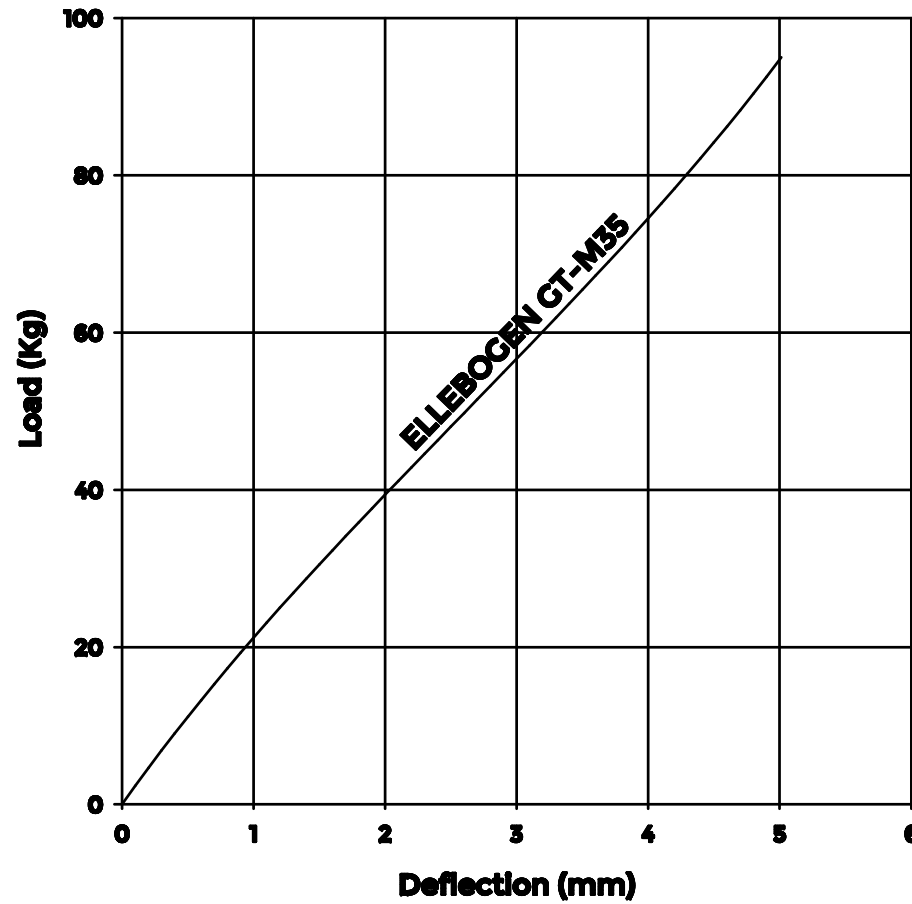
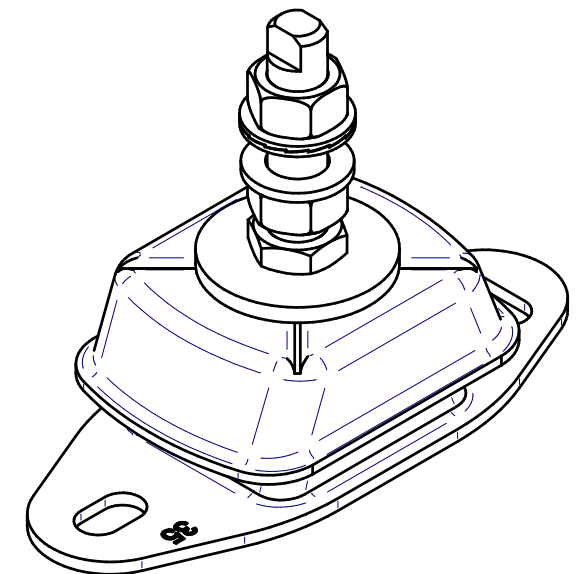
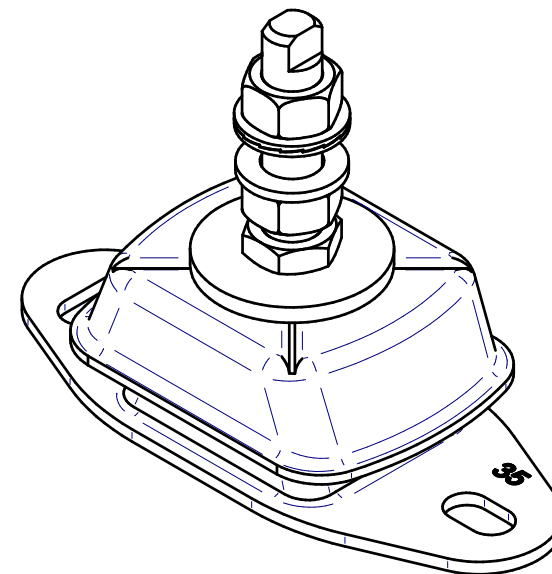
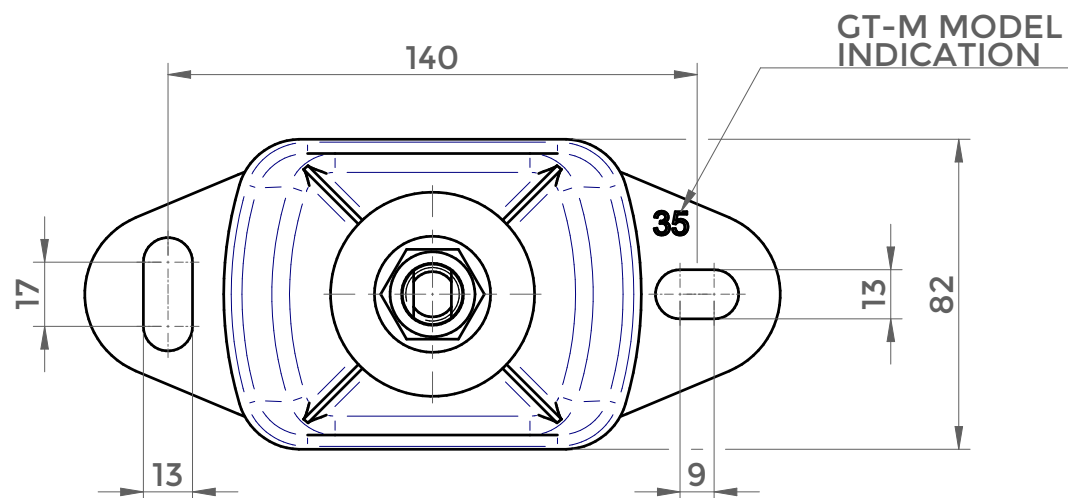
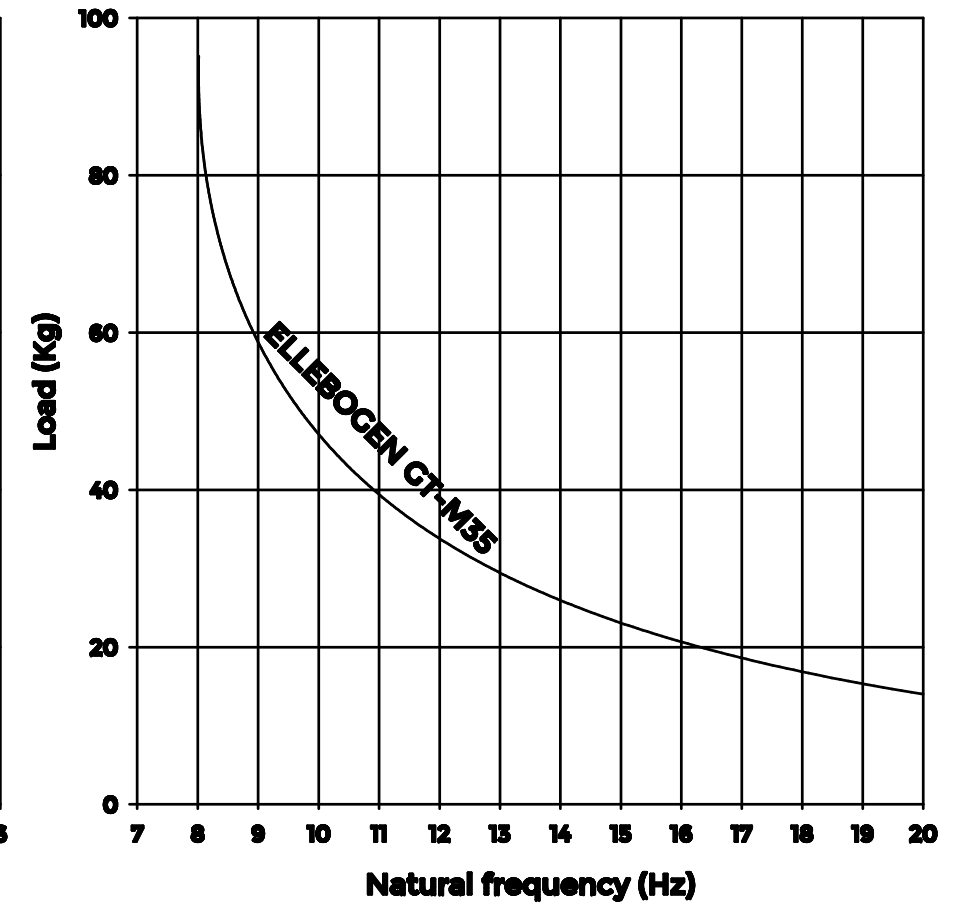


LOAD-DEFLECTION CURVE



NATURAL FREQUENCY CURVE



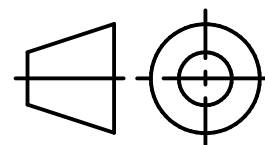
RECOMMENDED TIGHTENING TORQUE:

70 Nm  
7 kgf·m  
52 ft·lbs



**ELLEBOGEN**

PROJECTION:



DESCRIPTION:

ELLEBOGEN GT-M35 MARINE ENGINE MOUNT

REF. NO.:

120650-07801

ESTIMATED WEIGHT:

1,321kg

REV.:

04

DRAWN:

R. E.

APPROVED:

I. J.

DATE:

15/12/2022

DATE:

15/12/2022

SCALE:

1:2

SHEET SIZE:

**A3**

GENERAL TOLERANCES ACC. TO ISO 2768-C

|            |      |      |      |      |      |      |      |
|------------|------|------|------|------|------|------|------|
| OVER (mm)  | 0,5  | 3    | 6    | 30   | 120  | 400  | 1000 |
| UP TO (mm) | 3    | 6    | 30   | 120  | 400  | 1000 | 2000 |
| TOL. (mm)  | ±0,2 | ±0,3 | ±0,5 | ±0,8 | ±1,2 | ±2   | ±3   |

RUBBER TOLERANCES ACC. TO ISO 3302-M3

THIS DOCUMENT IS TO BE TREATED AS STRICTLY PRIVATE AND CONFIDENTIAL.

IT SHALL NOT BE DISCLOSED TO THIRD PARTIES WITHOUT PRIOR WRITTEN CONSENT.