



## ELLEBOGEN 200

The **Ellebogen 200** engine mount with reference **129470-08350**, is used in the following engines:

- **Rubber indication:** 200
- **Max Static Load:** 150 Kg



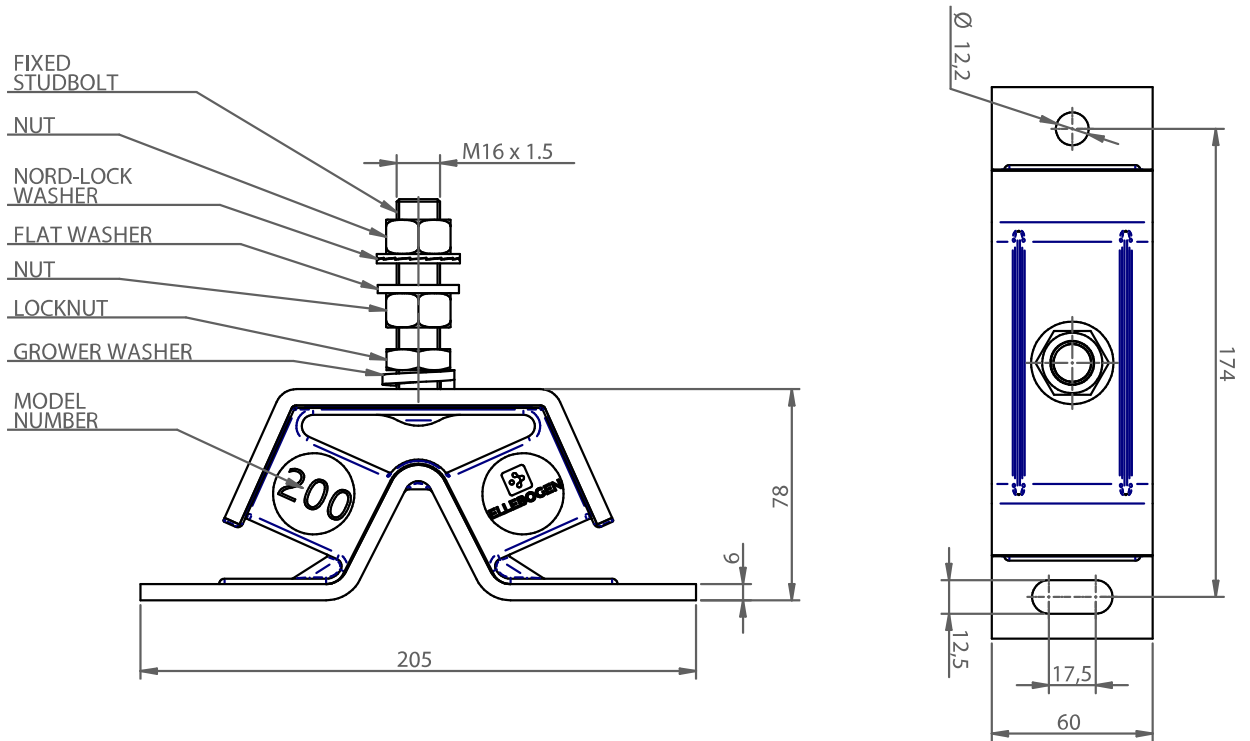
## MOUNT POSITION ON THE ENGINE

Engine/ Mount Reference	D/Back Port	C/Back Starboard	B/Front Port	A/Front Starboard
4JH-E / 129470-08350	✓		✓	
4JH-TE / 129470-08350	✓		✓	
4JH-HTE / 129470-08350	✓		✓	
4JH-DTE / 129470-08350	✓		✓	
4JH2 / 129470-08350	✓		✓	
4JH2E / 129470-08350	✓		✓	
4JH2TE / 129470-08350	✓		✓	
4JH2BE / 129470-08350	✓		✓	
4JH2TBE / 129470-08350	✓		✓	
4JH2HTE / 129470-08350	✓		✓	
4JH2DTE / 129470-08350	✓		✓	
4JH2UTBE / 129470-08350	✓		✓	
4JH2UTE / 129470-08350	✓		✓	
4JH3E / 129470-08350	✓		✓	
4JH4 / 129470-08350	✓		✓	
4JH4-E / 129470-08350	✓		✓	
4JH4-AE / 129470-08350	✓		✓	
4JH5E / 129470-08350	✓		✓	
4JH45 / 129470-08350	✓		✓	
4JH57 / 129470-08350	✓		✓	
4JH3-TE / 129470-08350	✓	✓	✓	✓
4JH3-HTE / 129470-08350	✓	✓	✓	✓
4JH3-DTE / 129470-08350	✓	✓	✓	✓
4JH4-TE / 129470-08350	✓	✓	✓	✓
4JH4-HTE / 129470-08350	✓	✓	✓	✓
4JH80* / 129470-08350	✓	✓	✓	✓
4JH110* / 129470-08350	✓	✓	✓	✓





## DRAWING



**Manufactured by injection:** This improves the homogeneity of the internal elastomer composition by 97%.

**Nordlock®:** We use the best mechanical fastening components. Thanks to the innovative Nordlock® locking technology, we secure bolted connections, even when they are exposed to high vibrations and dynamic loads.

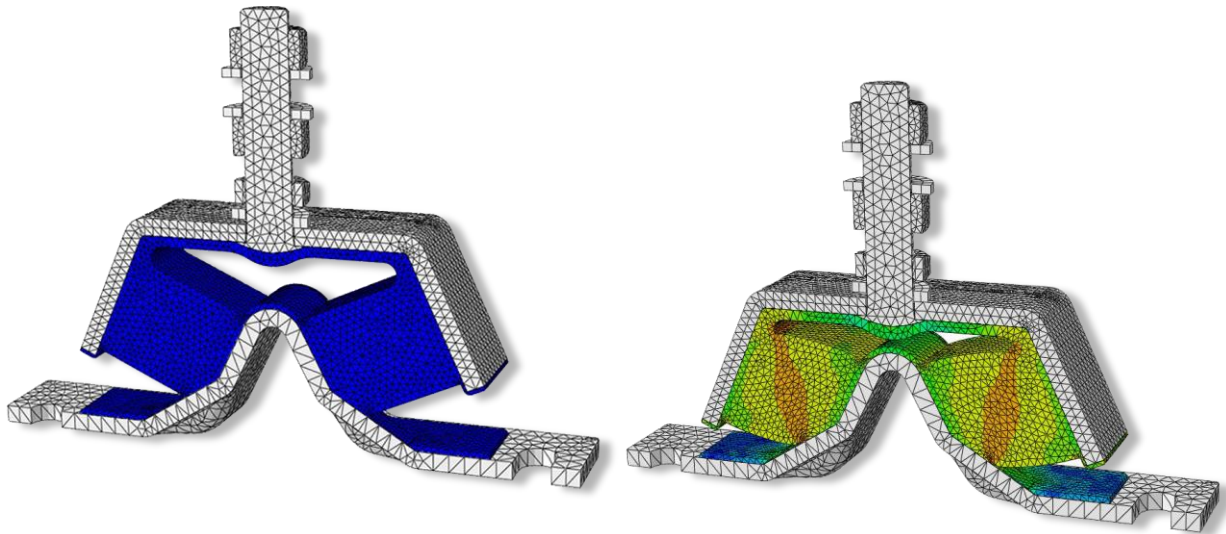
**Anticorrosive treatment equivalent to a stainless steel:** The metallic parts are also treated with Anticorrosive treatment of Zinc Nickel according to DIN 50962-Fe // Zn- Ni (12) // A (800h Salt Fog Chamber). On which 2 layers of PU (Polyurethane) paint are added to ensure protection equivalent to Aisi 304 stainless steel.

**90% adhesion surface:** To optimize the adhesion between the rubber and the metal, we increased the adhesion area reaching 90% of the metal surface.



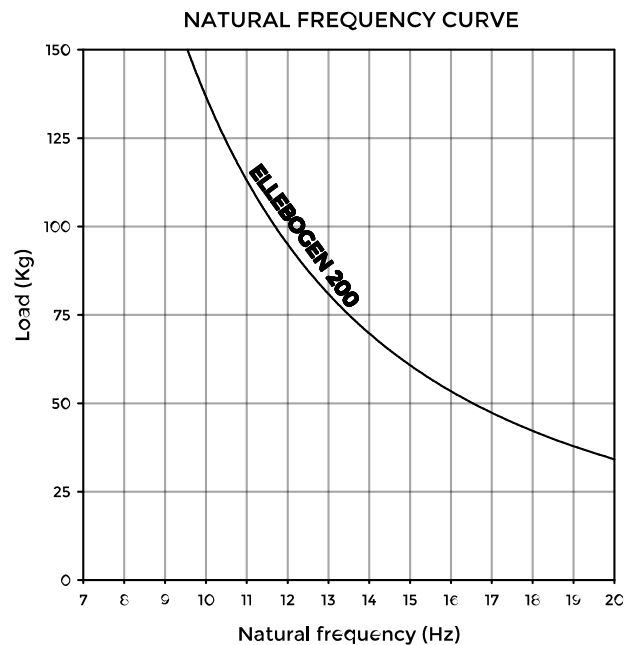
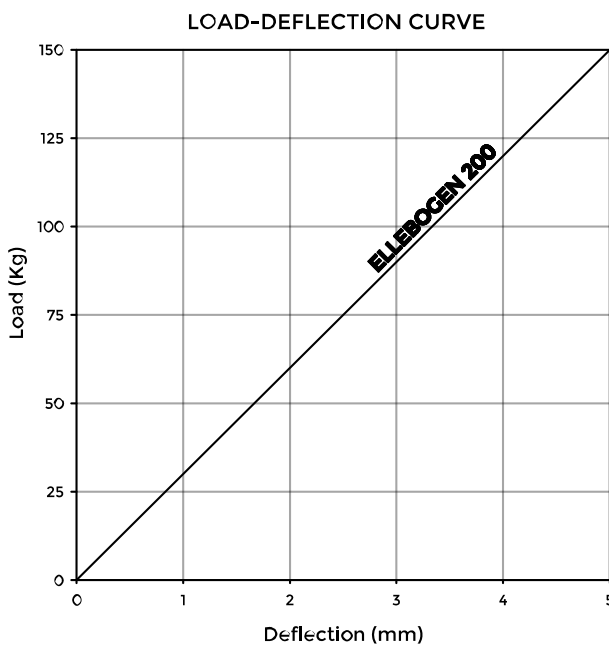


## FEM OPTIMIZATION



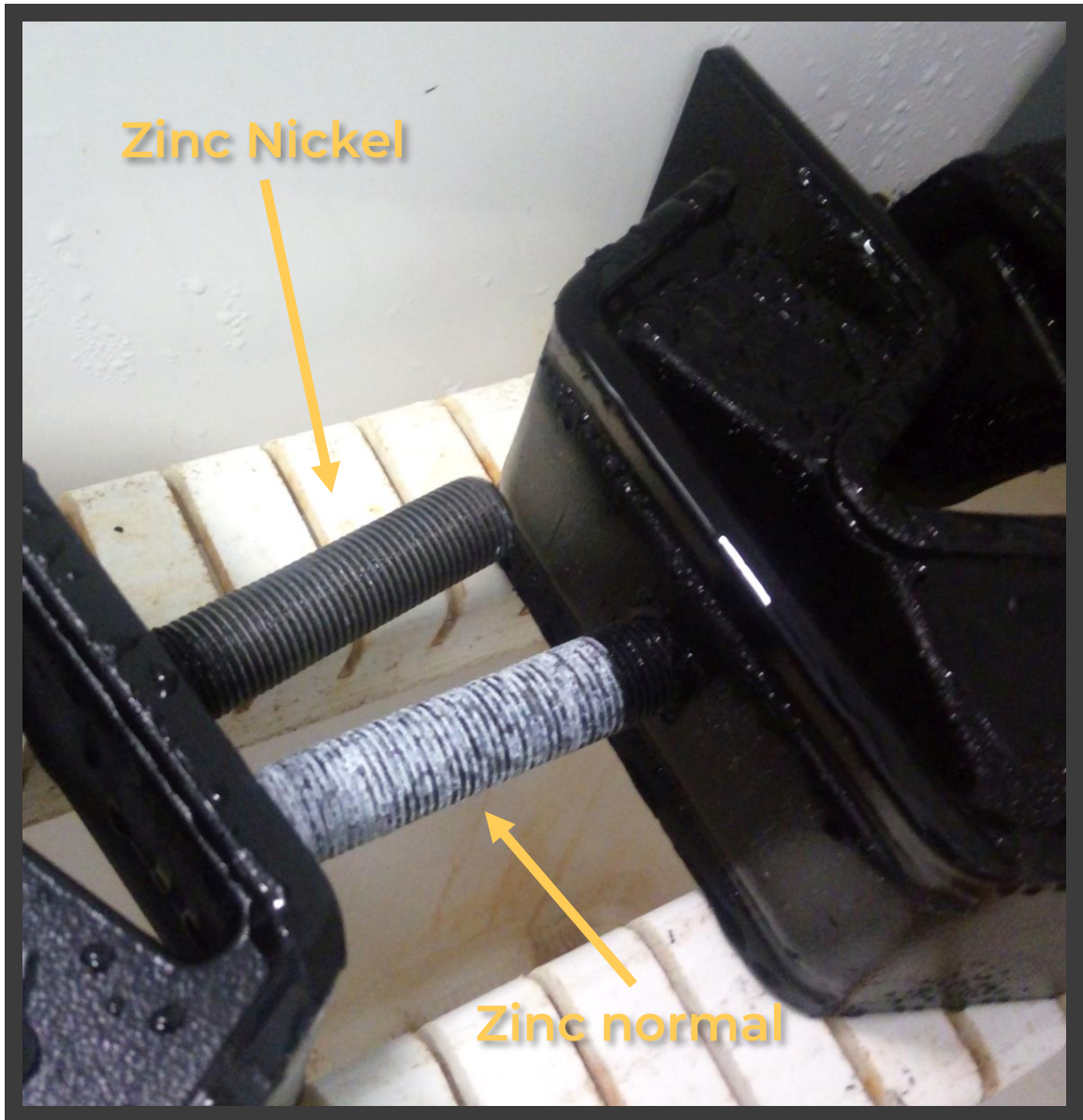
**90% adhesion surface:** To optimize the adhesion between the rubber and the metal, we increased the adhesion area reaching 90% of the metal surface. Additionally, we round the radio of the molding to reduce stress when the part is subjected to load.

## ELASTIC PROPERTIES





## RESISTANT TO CORROSIVE ENVIRONMENTS



**Anticorrosive treatment equivalent to stainless steel:** The metallic parts are also treated with Anticorrosive treatment of Zinc Nickel according to DIN 50962-Fe // Zn-Ni (12) // A (800h Salt Fog Chamber). On which 2 layers of PU (Polyurethane) paint are added to ensure protection equivalent to Aisi 304 stainless steel.

