



## ELLEBOGEN 100

The **Ellebogen 100** engine mount with reference **128377-08351**, is used in the following engines:

- **Rubber indication:** 100
- **Max Static Load:** 75 Kg



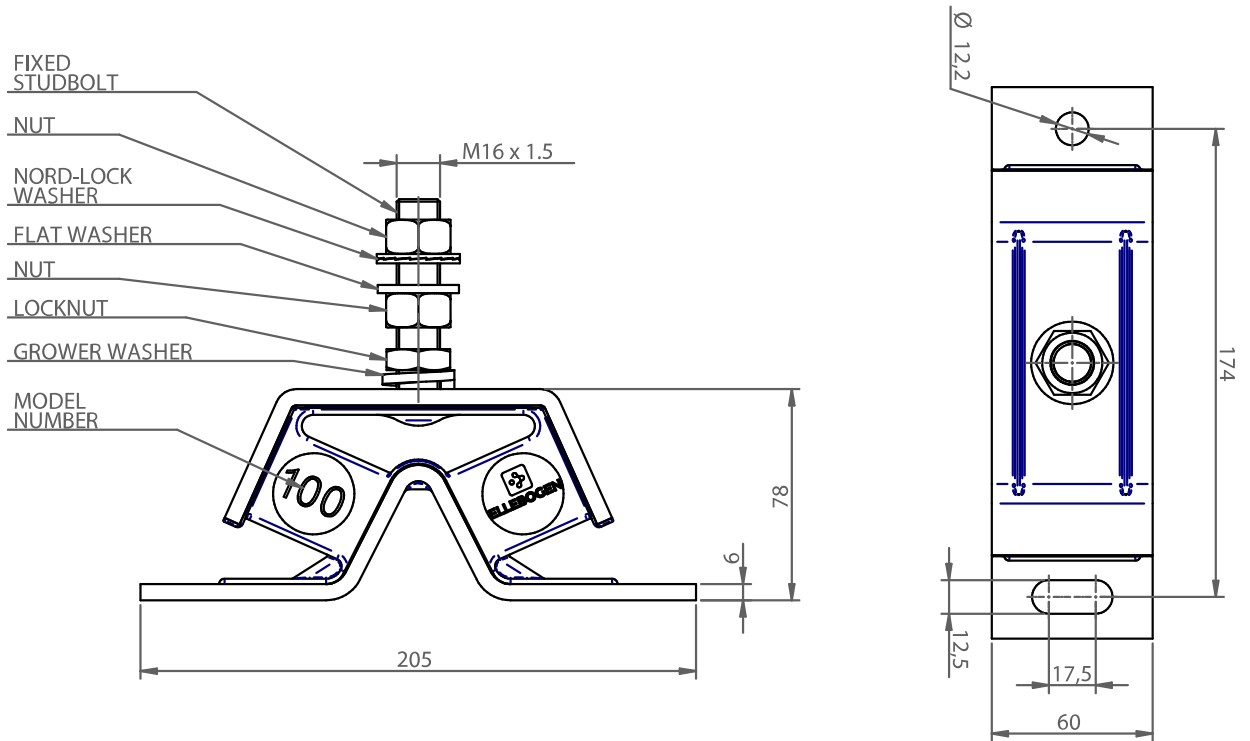
## MOUNT POSITION ON THE ENGINE

Engine/ Mount Reference	D/Back Port	C/Back Starboard	B/Front Port	A/Front Starboard
2GM / 128377-08351			✓	✓
2GMF / 128377-08351			✓	✓
3GM / 128377-08351			✓	✓
3GMF / 128377-08351			✓	✓
3GMD / 128377-08351			✓	✓
3GMDF / 128377-08351			✓	✓
2YM15 / 128377-08351			✓	✓
3YM20 / 128377-08351			✓	✓
3YM30 / 128377-08351			✓	✓
3YM30AE / 128377-08351			✓	✓
2GM20 / 128377-08351			✓	✓
2GM20B / 128377-08351			✓	✓
2GM20F / 128377-08351			✓	✓
3GM30 / 128377-08351			✓	✓
3GM30B / 128377-08351			✓	✓
3GM30F / 128377-08351			✓	✓
2GM20V / 128377-08351	✓	✓	✓	✓
2GM20VE / 128377-08351	✓	✓	✓	✓
2GM20FV / 128377-08351	✓	✓	✓	✓
2GM20FVE / 128377-08351	✓	✓	✓	✓
3GM30V / 128377-08351	✓	✓	✓	✓
3GM30VE / 128377-08351	✓	✓	✓	✓
3GM30FV / 128377-08351	✓	✓	✓	✓
3GM30FVE / 128377-08351	✓	✓	✓	✓
3HM / 128377-08351	✓	✓	✓	✓
3HMF / 128377-08351	✓	✓	✓	✓
3HM35 / 128377-08351	✓	✓	✓	✓
3HM35F / 128377-08351	✓	✓	✓	✓
3JH2 / 128377-08351		✓		✓
3JH2BE / 128377-08351		✓		✓
3JH2TBE / 128377-08351		✓		✓
3JH2E / 128377-08351		✓		✓
3JH2TE / 128377-08351		✓		✓
3JH3E / 128377-08351		✓		✓
3JH4E / 128377-08351		✓		✓
3JH5E / 128377-08351		✓		✓
3JH5AE / 128377-08351		✓		✓
3JH40 / 128377-08351		✓		✓





## DRAWING



**Manufactured by injection:** This improves the homogeneity of the internal elastomer composition by 97%.

**Nordlock®:** We use the best mechanical fastening components. Thanks to the innovative Nordlock® locking technology, we secure bolted connections, even when they are exposed to high vibrations and dynamic loads.

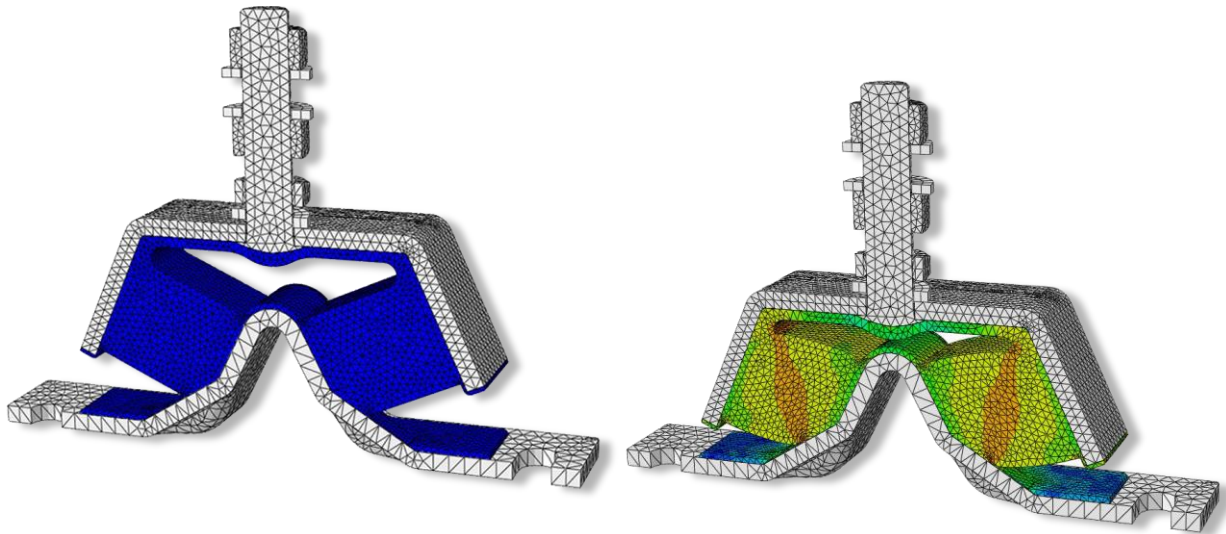
**Anticorrosive treatment equivalent to a stainless steel:** The metallic parts are also treated with Anticorrosive treatment of Zinc Nickel according to DIN 50962-Fe // Zn- Ni (12) // A (800h Salt Fog Chamber). On which 2 layers of PU (Polyurethane) paint are added to ensure protection equivalent to Aisi 304 stainless steel.

**90% adhesion surface:** To optimize the adhesion between the rubber and the metal, we increased the adhesion area reaching 90% of the metal surface.



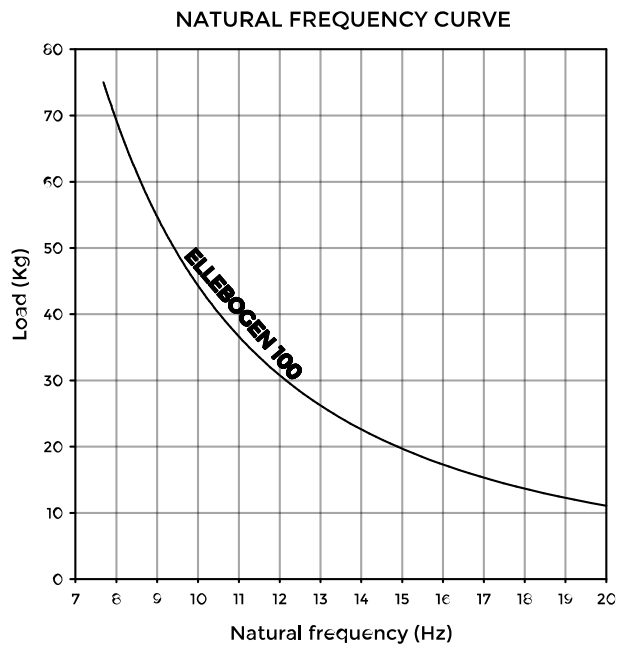
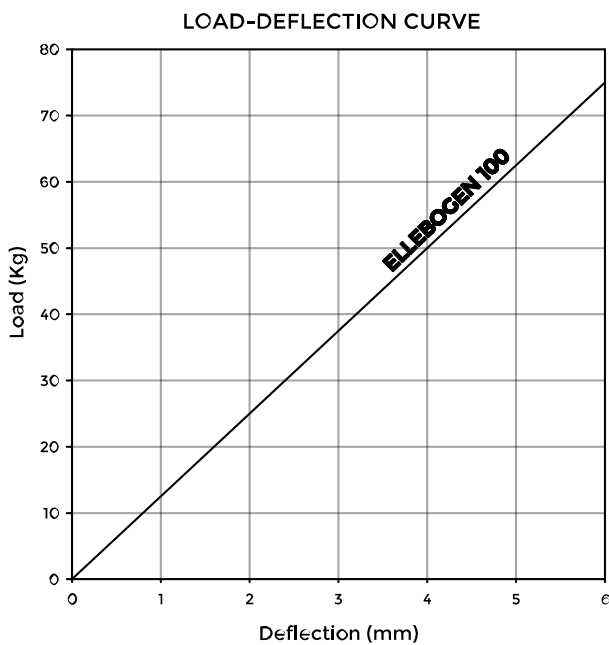


## FEM OPTIMIZATION



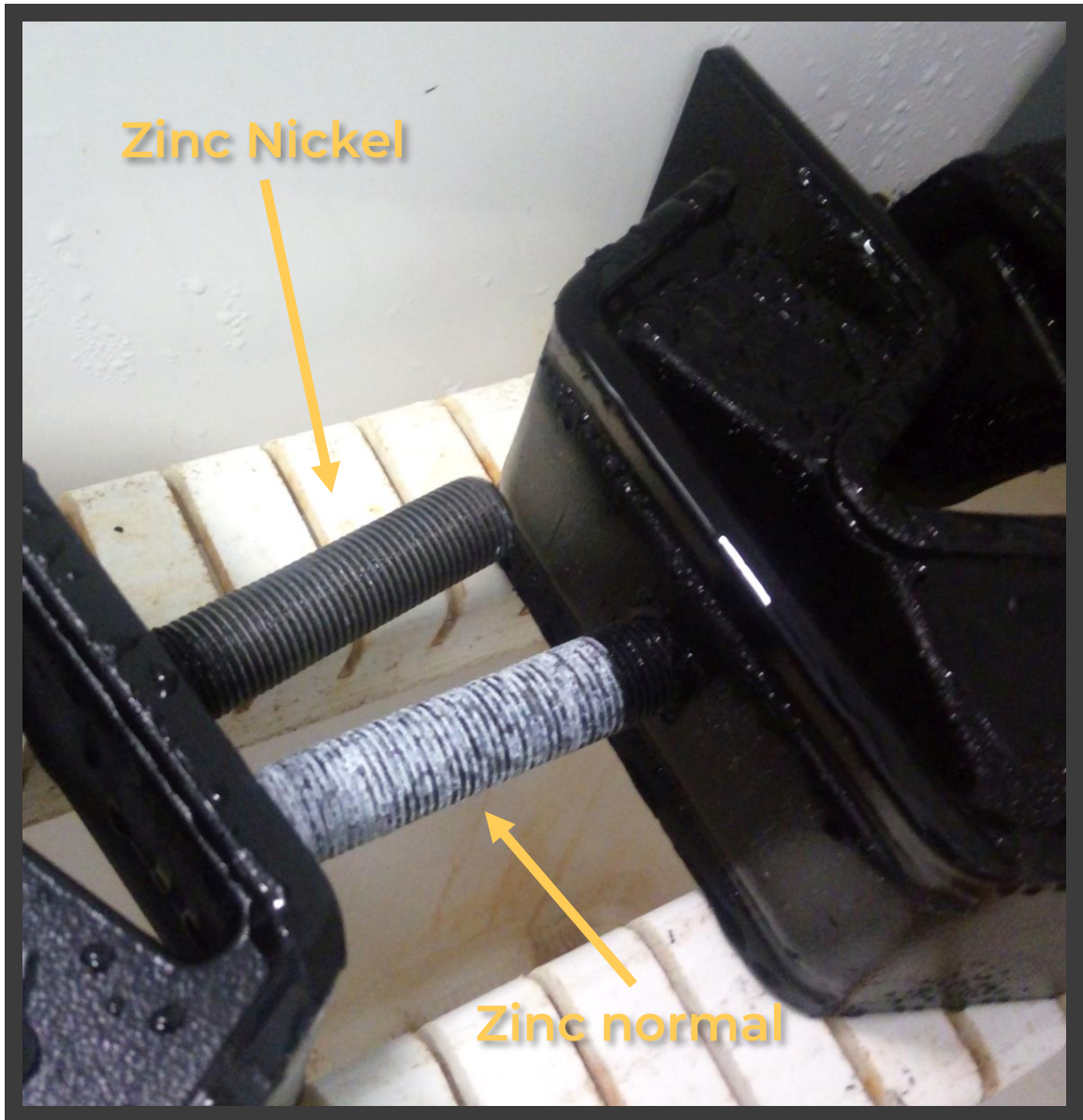
**90% adhesion surface:** To optimize the adhesion between the rubber and the metal, we increased the adhesion area reaching 90% of the metal surface. Additionally, we round the radio of the molding to reduce stress when the part is subjected to load.

## ELASTIC PROPERTIES





## RESISTANT TO CORROSIVE ENVIRONMENTS



**Anticorrosive treatment equivalent to stainless steel:** The metallic parts are also treated with Anticorrosive treatment of Zinc Nickel according to DIN 50962-Fe // Zn-Ni (12) // A (800h Salt Fog Chamber). On which 2 layers of PU (Polyurethane) paint are added to ensure protection equivalent to Aisi 304 stainless steel.

